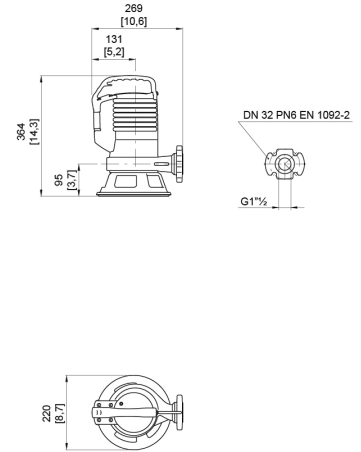
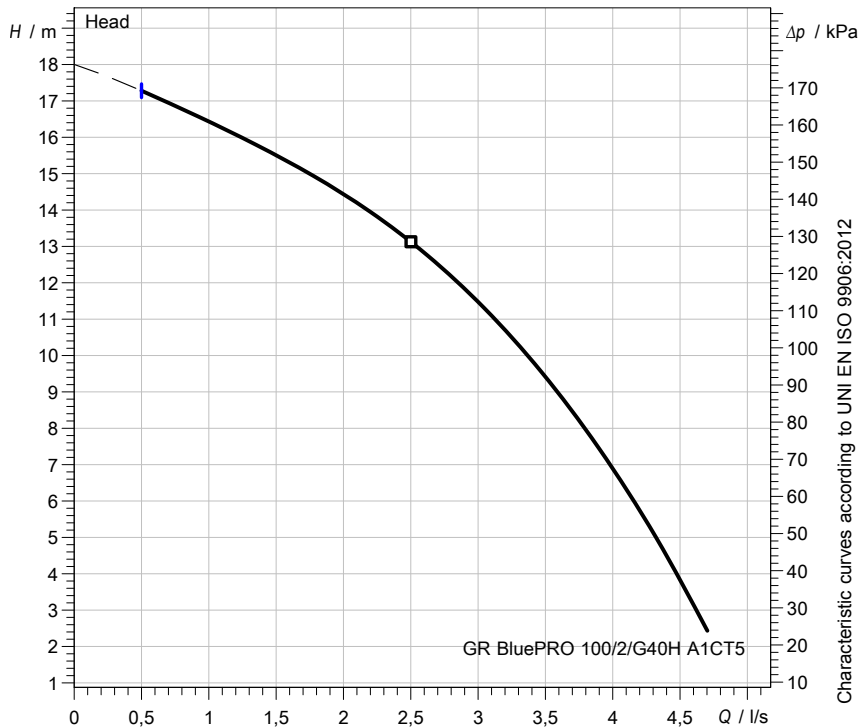




water solutions

Data sheet

GR BluePRO 100/2/G40H A1CT5**blue**
PROFESSIONAL
series**Technical specification****3~ 50 Hz**[mm]
[inch]**Pump**

Series	BluePRO series
Pump name	GR BluePRO 100/2/G40H A1CT5
Configuration	NGTR1040N00CX
Standard	EC 60079-0, IEC 60079-15
IECeX mark	Ex nA IIC T3 Gc Ex nA nC IIC T3 Gc

Motor data

Rated voltage	400 V
Frequency	50 Hz
Motor phases	3~
Number of poles	2
Rated power P2	0,74 kW
Incoming power P1	1,10 kW
Rated current	2,7 A
rpm	2800 1/min
Efficiency	64,4 %
cos φ	0,61
Rated torque	2,5 Nm
Start	Direct starting
Degree of protection	IP 68
Insulation class	F

Hydraulic

Type	GR (Impeller with grinder system)
Free passage	0 mm
Impeller type	Multi channel impeller
Max. hydraulic efficiency	-
Suction	-
Discharge	DN 32 - G 1"1/2 EN 1092-2
Curve tolerance	UNI EN ISO 9906:2012

Operating limits (standard pumps)

Max. ambient temperature	40 °C
Max. density treated liquid	1100 kg/m ³
Max. immersion depth	20 m
pH treated liquid	6 ÷ 14
Max. start per hour (equally distributed)	30
Wet/dry use	WET
Max. acoustic pressure level	70 dB
Operating mode	S1 - Continuous use

Construction materials

Case	Cast iron EN-GJL 250
Shaft	Stainless steel - AISI 420
Hydraulic	Cast iron EN-GJL 250
Impeller	Cast iron EN-GJL 250
Painting/Coating	Bi-epoxy 80 μm
Screws	Stainless steel - Class A2-70
Gaskets	NBR
Foot base (if present)	Cast iron EN-GJL 250
Cutter	Chromium steel - X102 CrMo17 KU
Cutting disk	Chromium steel - X102 CrMo17 KU

Construction features

Main cable	4G1
Control cable	-
Cable length	10 m
Mechanical seals	-
Additional drilling	-
Weight*	19 kg
Electrical variant	Thermal protection and relais

* cable's weight not included

Rev. 0 - 16-12-2014

All data shown are not binding. Zenit reserves the right to change data and dimensions without notice.

Created on 2017-03-10

zenit.com

Page 1 / 3



water solutions

Data sheet

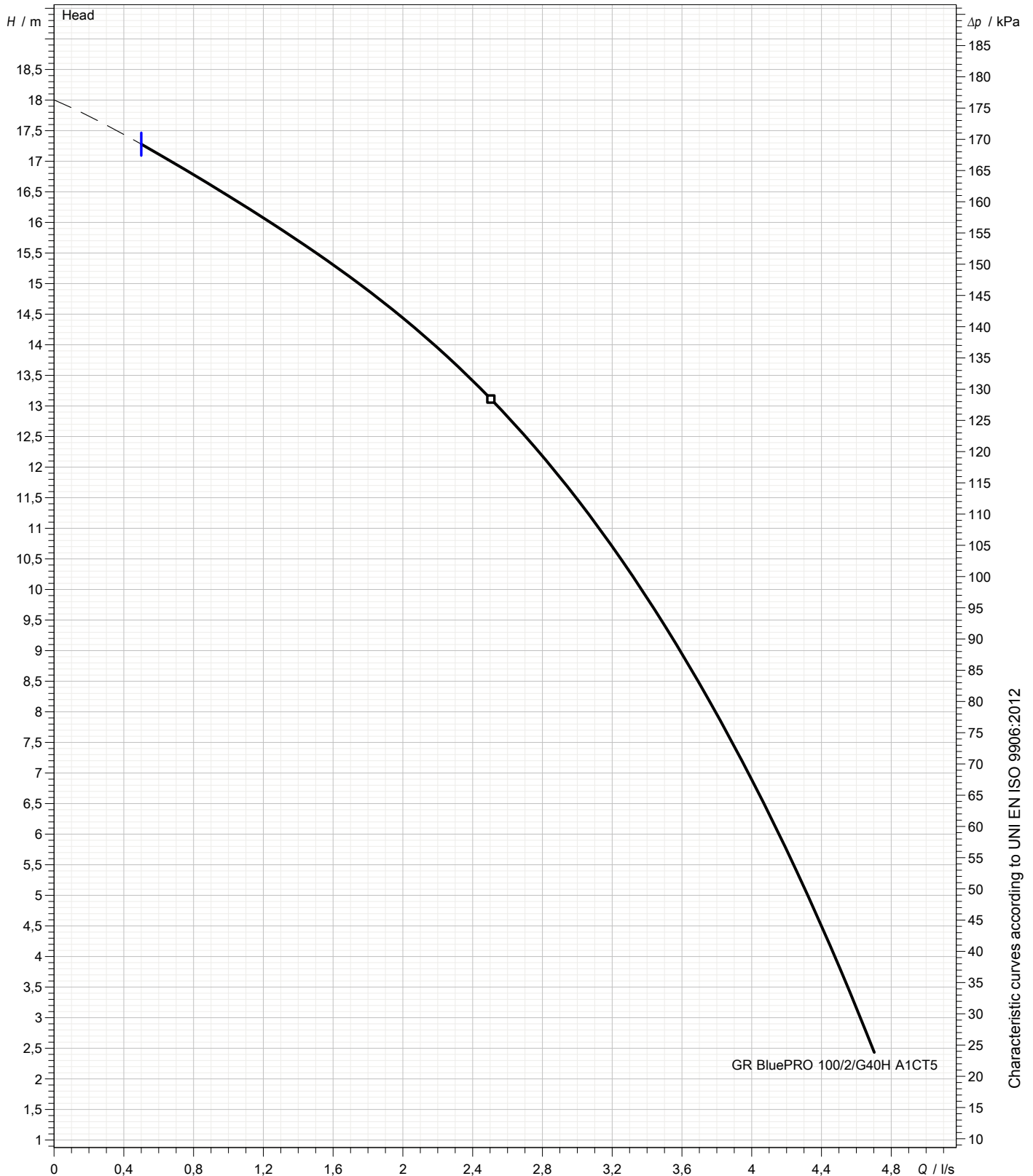
GR BluePRO 100/2/G40H A1CT5

blue
PROFESSIONAL
series

Pump performance curves

3~ 50 Hz

Hydraulic type GR (Impeller with grinder system)		Impeller type Multi channel impeller	Free passage 0 mm	Discharge DN 32 - G 1"1/2	Suction -
DUTY POINT					
Flow	Head	Shaft power P2	Hydraulic efficiency	Density 998,3 kg/m ³	Viscosity 1,005 mm ² /s



Characteristic curves according to UNI EN ISO 9906:2012



water solutions

Data sheet

GR BluePRO 100/2/G40H A1CT5

blue
PROFESSIONAL
series

Dimensional drawing

3~ 50 Hz

Installation type Installation with bottom coupling device - Vertical outlet + GTP

WET/DRY use: WET

Discharge: DN 32 - G 1 1/2 EN 1092-2

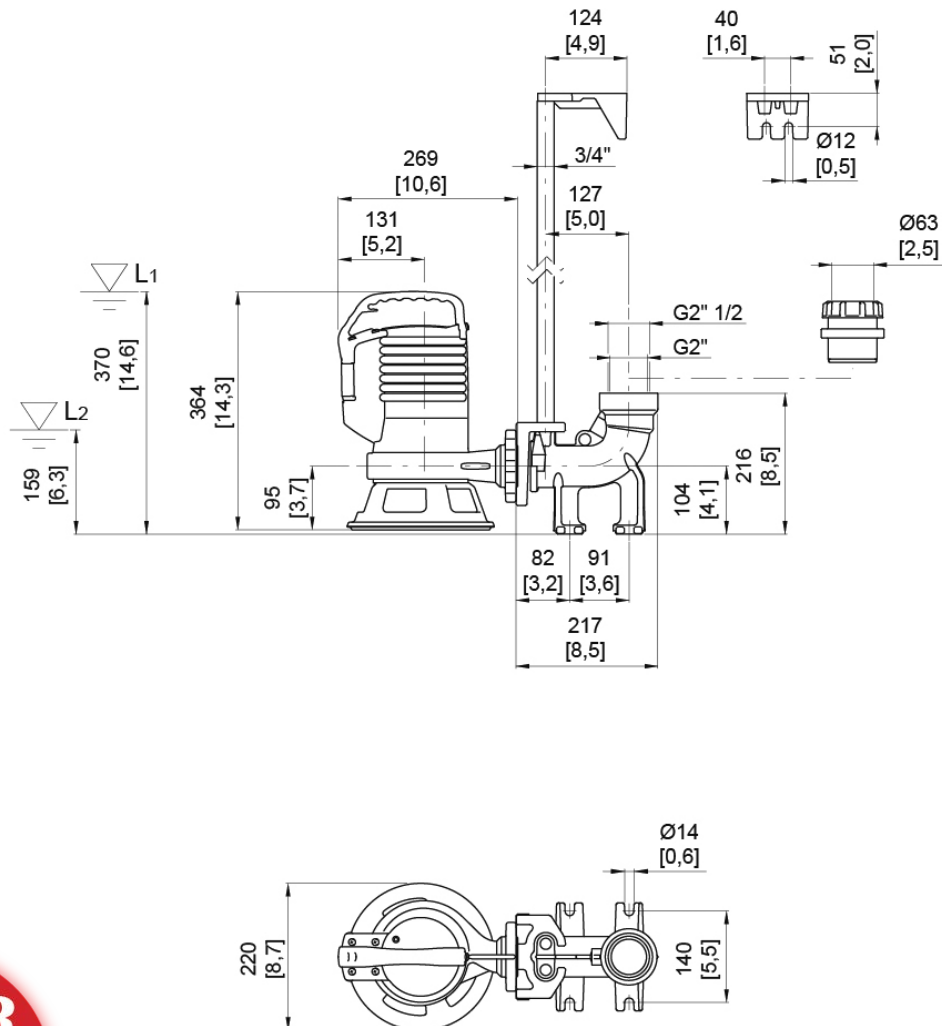
Suction: -

Pressure rating (suction/discharge): PN 6

Accessory * : DAC 32-50/G50V-G65V 3/4" EN+GTP (P)

Accessory code * : 9028.002

* Accessory must be ordered separately



L1: Minimum operating level for continuous use
L2: Minimum operating level for discontinuous use

[mm]
[inch]